



CUP WHEELS FOR BAVELLONI MACHINES

MOLE A TAZZA PER MACCHINE BAVELLONI

Bavelloni Tools è in grado di fornire la più vasta gamma di mole a tazza per le molatrici rettilinee Bavelloni. Ogni mola è stata accuratamente testata sulle macchine, ottimizzata per raggiungere le prestazioni richieste.

METALLIC WHEELS

Two different bonds are available depending on the specific needs:
PREMIUM LINE (MB1): an high performance bond, both in terms of processing speed and durability.

XTRA LINE (MB2): a bond developed from the previous one and modified in the components to obtain the maximum performances: the Xtra Line wheels allow working speeds increased by 25% and have a longer life of 30-35%.

Metal cup wheels are manufactured according to three different types. Segmented, continuous crown, continuous crown with slots.

Segmented grinding wheels: characterized by a high removal capacity. They are therefore suitable for large stock removal (large thicknesses and laminated glass).

Continuous band grinding wheels: mainly suitable for processing float glass (monolithic).

Continuous band grinding wheels with slots: the most versatile wheels. They allow any type of glass to be processed (float and laminated, have an excellent cutting edge and guarantee a finish very similar to continuous crowns. The perfect solution for Xtra Line wheels.



RESIN WHEELS

Bavelloni Tools has a long experience in the development and production of resinoid wheels. The widest range of solutions is available for straight line edgers, double edgers and bevelling machines.

Resinoid wheels are available in continuous, turbo and sector crowns.

Bavelloni resin wheels guarantee the best results in terms of finish and durability.



ARRISING WHEELS

For the processing of the arrisis, both metal and resin diamond wheels are available, as well as different solutions for polishing.

Diamond wheels: metal solutions are able to guarantee maximum performance in terms of durability. Resin wheels have a slightly shorter life but offer a perfect finish and a lower price.

Polishing wheels: Bavelloni Tools produces a unique range of polishing wheels for arrisis. They guarantee an unmatched polishing quality and



POLISHING WHEELS

10S and 9RS polishing wheels, with exclusive aluminum plate (J40).

Also available the traditional version, bore 70 mm.

Continuous end segmented



CERIUM WHEELS AND FELTS

Wide range of solutions for glass brightening:

Xtrashine: XtraShine slurryless polishing wheel is a proprietary unique composition of various compounds and agents that produce polish qualities comparable to felt and other polishing materials. It is designed to be used without traditional cerium slurries.

Rubber cerium wheels: available with aluminium body and J40, with plastic body (bore 70 mm) or solid rubber body (bore 70 mm).

Pink Felts: an unique solution, with or without plate and J40.



METALLIC DIAMOND WHEELS

SEGMENTED



STANDARD LINE					
Code	Diam	Grit	Crown	Price	Note
U1951500009	150	100	12,5x8	-	Big removal, laminated
U19515000117	150	100	15x5	-	Mitering for V10 & V14
U19515000122	150	120	15x5	-	Mitering for V10 & V14
U19515000109	150	100	8x6	-	Laminated glass
U19515000107	150	120	8x6	-	Laminated glass
U19515000108	150	200	8x6	-	Laminated glass



XTRA LINE					
Code	Diam	Grit	Crown	Price	Note
U29515000009	150	100	12,5x8	-	Big removal, laminated
U29515000007	150	100	8x6	-	Big removal, laminated
U29515000006	150	120	8x6	-	Big removal, laminated
U29515000004	150	200	8x6	-	Big removal, laminated
U29515000001	150	100	15x5	-	Mitering for V10 & V14
U29515000003	150	120	15x5	-	Mitering for V10 & V14
U29515000003	150	120	15x5	-	Chamfering for DE
U29517500002	175	100	12,5x8	-	Double Edgers
U29517500005	175	120	8x6	-	Double Edgers
U29517500011	175	200	8x6	-	Double Edgers

CONTINUOUS



STANDARD LINE					
Code	Diam	Grit	Crown	Price	Note
U19415000270	150	100	8x8	-	Continuous for SLE
U19415000269	150	120	8x8	-	Continuous for SLE
U18815000118	150	200	8x8	-	Continuous for SLE
U19410000014	100	325	8x4	-	Diamond for arris
U29415000008	150	325	8x4	-	Diamond for arris
U19415000160	150	120/270	w15	-	Chamfering for SLE
U19410000004	100	120/270	w15	-	Chamfering for PR/CR
U18815000038	150	AA	5x12	-	Continuous bevelling
U18815000040	150	140	4x12	-	Continuous bevelling
U18815000070	150	80	5x12	-	Long Life bevelling
U18815000096	150	140	4x12	-	Long Life bevelling

CONTINUOUS WITH SLOTS



STANDARD LINE					
Code	Diam	Grit	Crown	Price	Note
U18915000045	150	100	8x8	-	Float/laminated
U18915000044	150	120	8x8	-	Float/laminated
U18915000043	150	200	8x8	-	Float/laminated

XTRA LINE					
Code	Diam	Grit	Crown	Price	Note
U28915000008	150	100	8x8	-	Float/laminated
U28915000007	150	120	8x8	-	Float/laminated
U28915000009	150	200	8x8	-	Float/laminated
U28917500009	175	100	8x8	-	DE Float/laminated
U28917500006	175	120	8x8	-	DE Float/laminated
U28917500007	175	200	8x8	-	DE Float/laminated

RESIN WHEELS



SEGMENTED (open segments, best solution for SLE and DE)

Code	Diam	Grit	Crown	Price	Note
U1921500003	150	200	20x8	-	SLE, Open segment
U1921750003	175	200	20x8	-	DE, Open segment



CONTINUOUS

Code	Diam	Grit	Crown	Price	Note
U1901500083	150	200	15x10	-	Beveling
U1901500084	150	270	15x10	-	Beveling
U1901500085	150	700	15x10	-	Beveling
U1901500087	150	200	15x10	-	Arising SLE & DE
U2901000001	100	200	15x10	-	Arising PR & CR



TURBO

Code	Diam	Grit	Crown	Price	Note
U1911500068	150	200	20x8	-	Beveling std
U1911500049	150	270	20x8	-	Beveling std
U1911500038	150	700	20x8	-	Beveling std
U1911500035	150	200	20x10	-	Beveling long life
U1911500053	150	270	20x10	-	Beveling long life
U1911500052	150	700	20x10	-	Beveling long life

ARRISIS WHEELS

METALLIC DIAMOND



Code	Diam	Grit	Crown	Price	Note
U19410000014	100	325	8x4	-	Diamond for arris (PR & CR)
U19415000160	150	120/270	w15	-	Chamfering for SLE
U19410000004	100	120/270	w15	-	Chamfering for PR/CR

XTRA LINE

Code	Diam	Grit	Crown	Price	Note
U29415000008	150	325	8x4	-	Arising SLE & DE
U29515000006	150	120	8x6	-	Chamfering DE (3 position)



RESIN DIAMOND

Code	Diam	Grit	Crown	Price	Note
U19015000087	150	200	15x10	-	Arising SLE & DE
U29010000001	100	200	15x10	-	Arising PR & CR



ARRISIS POLISHING

Code	Diam	Grit	Crown	Price	Note
U50615000004	150	-	w19	-	Std Polishing for SLE & DE
U50615000005	150	-	w15	-	Grinding/polishing for VE 6
U50810000017	100	-	w20	-	Std Polishing for PR / CR
U50610000001	100	-	w20	-	For beveling machines
U51915020061	150	-	w22,5	-	Big arrisis polishing
U51915020064	150	-	w22,5	-	10S120
U50815000045	150	-	w20	-	EK 120, bore 70 mm

POLISHING WHEELS

10S - 9R Alu Plate (continuous)



Code	Diam	Grit	Crown	Price	Note
U51915020060	150	-	w22,5	-	10S40
U51915020061	150	-	w22,5	-	10S60
U51915020064	150	-	w22,5	-	10S120
U51915020062	150	-	w22,5	-	9RS40
U51915020063	150	-	w22,5	-	9RS60
U51915020070	150	-	w22,5	-	9RS80

10S - 9R Alu Plate (segmented)

Code	Diam	Grit	Crown	Price	Note
U51915020099	150	-	w22,5	-	10S40 Segment
U51915020100	150	-	w22,5	-	10S60 Segment
U51915020101	150	-	w22,5	-	9RS40 Segment
U51915020102	150	-	w22,5	-	9RS60 Segment

10S - 9R No Plate (bore 70 mm) (continuous)



Code	Diam	Grit	Crown	Price	Note
U51915020109	150	-	w22	-	10S40
U51915020110	150	-	w22	-	10S60
U51915020113	150	-	w22	-	10S120
U51915020009	150	-	w22	-	9RS40
U51915020013	150	-	w22	-	9RS60
U51915020074	150	-	w22	-	9RS80

10S - 9R No Plate (bore 70 mm) (segmented)



Code	Diam	Grit	Crown	Price	Note
U51915020111	150	-	w22	-	10S40 Segment
U51915020112	150	-	w22	-	10S60 Segment
U51915020024	150	-	w22	-	9RS40 Segment
U51915020025	150	-	w22	-	9RS60 Segment
U51915020026	150	-	w22	-	9RS80 Segment

CERIUM WHEELS AND FELTS

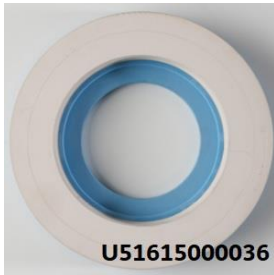


XTRASHINE (bore 70 mm)

Code	Diam	Grit	Crown	Price	Note
U5161500043	150	-	w20	-	

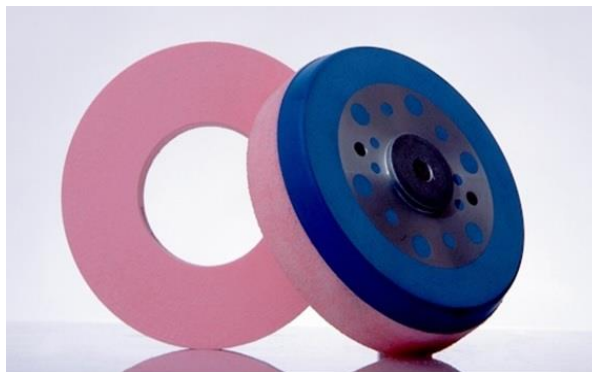
Cerium Wheels

Code	Diam	Grit	Crown	Price	Note
U5161500033	150	-	w26,5	-	Alu plate j40
U5161500036	150	-	w26,5	-	Resin plate, bore 70
U5161500048	150	-	w26,5	-	Resin pl. bore 70, segmented
U5081500001	150	-	w26,5	-	Solid rubber body, bore 70



Felts

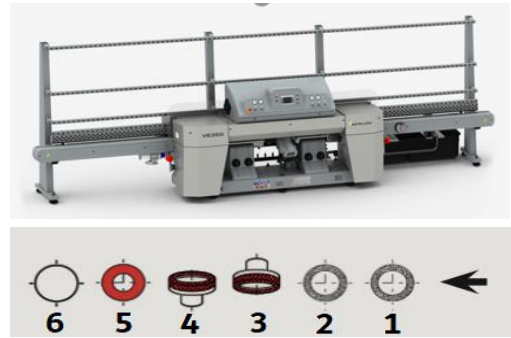
Code	Diam	Grit	Crown	Price	Note
U5281500060	150	-	-	-	Only ring, pink, needs plate
U5291500002	150	-	w40	-	Resin plate, pink felt, j40
U5281500057	150	-	-	-	Mitering, V10 & V14



BAVELLONI VE 350 6

Also compatible with:
Bavelloni GEMY 6, HYION 6

Pos	Type	Fitting	Diameter	RPM
1	Diamond	J40	150	2800
2	Diamond	J40	150	2800
5	Polishing	J40	150	2800
6	Polishing	J40	150	2800
7	Polishing	J40	150	2800
8	Polishing	J40	150	1400



POSITION 1

Pos	Code	Type	Crown & size	Grit	Price	Note	Picture
1A	U19415000269	Metallic	Continuous 8x8	120	-	Float glass, small / medium removals	4
1B	U18915000044	Metallic	Cont/Slots 8x8	120	-	With Slots, float and laminated glass	8
1C	U19515000107	Metallic	Segmented 8x6	120	-	Big removals, laminated glass	10

POSITION 1 - XTRALINE

Pos	Code	Type	Crown & size	Grit	Price	Note	Picture
1A	U28915000007	Metallic	Cont/Slots 8x8	120	-	With Slots, float and laminated glass	8
1B	U29515000006	Metallic	Segmented 8x6	120	-	Big removals, laminated glass	10

POSITION 2

Pos	Code	Type	Crown & size	Grit	Price	Note	Picture
2A	U18815000118	Metallic	Continuous 8x8	200	-	Float glass, small / medium removals	4
2B	U18915000043	Metallic	Cont/Slots 8x8	200	-	With Slots, float and laminated glass	8
2C	U19515000108	Metallic	Segmented 8x6	200	-	Big removals, laminated glass	10

POSIZIONE 2 - XTRALINE

Pos	Code	Type	Crown & size	Grit	Price	Note	Picture
2A	U28915000009	Metallic	Cont/Slots 8x8	200	-	With Slots, float and laminated glass	8
2B	U29515000004	Metallic	Segmented 8x6	200	-	Big removals, laminated glass	10

POSIZIONE 3

Pos	Code	Type	Crown & size	Grit	Price	Note	Picture
3A	U50615000005	Polishing	Continuous w15	-	-	Grinding/polishing arris for VE6	13

POSIZIONE 4

Pos	Code	Type	Crown & size	Grit	Price	Note	Picture
4A	U50615000005	Polishing	Continuous w15	-	-	Grinding/polishing arris for VE6	13

POSIZIONE 5

Pos	Code	Type	Crown & size	Grit	Price	Note	Picture
5A	U51915020060	Polishing	Continuous w22,5	-	-	10S40, alu plate, continuous	22
5B	U51915020099	Polishing	Segmented w22,5	-	-	10S40, alu plate. Segmented, lami Glass	24

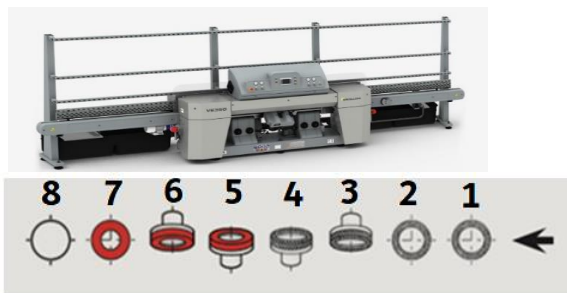
POSIZIONE 6

Pos	Code	Type	Crown & size	Grit	Price	Note	Picture
6A	U51615000033	Cerium	Continuous w26,5	-	-	Aluminium plate, J40	16
6B	U51615000043	Xtrashine	Continuous w20	-	-	Extrashine: Exclusive, best quality.	18
6C	U51615000036	Cerium	Continuous w26,5	-	-	Resin plate, bore 70	17
6D	U51615000048	Cerium	Segmented w26	-	-	Resin plate, segmented, lami Gass	19
6E	U50815000001	Cerium	Continuous w26,5	-	-	Solid rubber body, bore 70 mm	14

BAVELLONI VE 350 8

Also compatible with:
Bavelloni GEMY 8, HYION 6

Pos	Type	Fitting	Diameter	RPM
1	Diamond	J40	150	2800
2	Diamond	J40	150	2800
3	Diamond	J40	150	2800
4	Diamond	J40	150	2800
5	Polishing	J40	150	2800
6	Polishing	J40	150	2800
7	Polishing	J40	150	2800
8	Polishing	J40	150	1400



POSITION 1

Pos	Code	Type	Crown & size	Grit	Price	Note	Picture
1A	U19415000269	Metallic	Continuous 8x8	120	-	Float glass, small / medium removals	4
1B	U18915000044	Metallic	Cont/Slots 8x8	120	-	With Slots, float and laminated glass	8
1C	U19515000107	Metallic	Segmented 8x6	120	-	Big removals, laminated glass	10

POSITION 1 - XTRALINE

Pos	Code	Type	Crown & size	Grit	Price	Note	Picture
1A	U28915000007	Metallic	Cont/Slots 8x8	120	-	With Slots, float and laminated glass	8
1B	U29515000006	Metallic	Segmented 8x6	120	-	Big removals, laminated glass	10

POSITION 2

Pos	Code	Type	Crown & size	Grit	Price	Note	Picture
2A	U18815000118	Metallic	Continuous 8x8	200	-	Float glass, small / medium removals	4
2B	U18915000043	Metallic	Cont/Slots 8x8	200	-	With Slots, float and laminated glass	8
2C	U19515000108	Metallic	Segmented 8x6	200	-	Big removals, laminated glass	10

POSIZIONE 2 - XTRALINE

Pos	Code	Type	Crown & size	Grit	Price	Note	Picture
2A	U28915000009	Metallic	Cont/Slots 8x8	200	-	With Slots, float and laminated glass	8
2B	U29515000004	Metallic	Segmented 8x6	200	-	Big removals, laminated glass	10

POSITION 3 & 4

Pos	Code	Type	Crown & size	Grit	Price	Note	Picture
A	U19015000087	Resin	Continuous 15x10	200	-	Resin for arrisis, good quality and speed	5
B	U29415000008	Metallic	Continuous 8x4	325	-	Metallic for arrisis	4
C	U19415000160	Metallic	Continuous w15	120/270	-	Double grit wheel for chamfering, 150 mm	0

POSITION 5 & 6

Pos	Code	Type	Crown & size	Grit	Price	Note	Picture
A	U50615000004	Polishing	Continuous w19	-	-	Small and medium arrisis	13
B	U50815000045	Polishing	Continuous w20	-	-	EK120SJ, BORE 70 mm	15
C	U51915020061	Polishing	Continuous w22,5	-	-	10S60, alu plate, continuous	22
D	U51915020064	Polishing	Continuous w22,5	-	-	10S120, alu plate, continuous	22

POSITION 7

Pos	Code	Type	Crown & size	Grit	Price	Note	Picture
7A	U51915020060	Polishing	Continuous w22,5	-	-	10S40, alu plate, continuous	22
7B	U51915020099	Polishing	Segmented w22,5	-	-	10S40, alu plate. Segmented, lami Glass	24

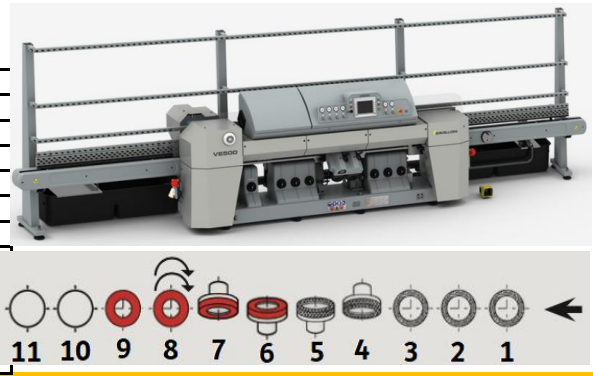
POSIZIONE 8

Pos	Code	Type	Crown & size	Grit	Price	Note	Picture
8A	U51615000033	Cerium	Continuous w26,5	-	-	Aluminium plate, J40	16
8B	U51615000043	Xtrashine	Continuous w20	-	-	Extrashine: Exclusive, best quality.	18
8C	U51615000036	Cerium	Continuous w26,5	-	-	Resin plate, bore 70	17
8D	U51615000048	Cerium	Segmented w26	-	-	Resin plate, segmented, lami Gass	19
8E	U50815000001	Cerium	Continuous w26,5	-	-	Solid rubber body, bore 70 mm	14

BAVELLONI VE 350 11

Also compatible with:
Bavelloni GEMY11, HYION 11, VE 500 11

Pos	Type	Fitting	Diameter	RPM
1	Diamond	J40	150	2800
2	Diamond	J40	150	2800
3	Diamond	J40	150	2800
4	Diamond	J40	150	2800
5	Polishing	J40	150	2800
6	Polishing	J40	150	2800
7	Polishing	J40	150	2800
8	Polishing	J40	150	1400/2800
9	Polishing	J40	150	2800
10	Polishing	J40	150	1400
11	Polishing	J40	150	1400



POSITION 1

Pos	Code	Type	Crown & size	Grit	Price	Note	Picture
1A	U19415000270	Metallic	Continuous 8x8	100	-	Float glass, small / medium removals	4
1B	U18915000045	Metallic	Cont/Slots 8x8	100	-	With Slots, float and laminated glass	8
1C	U19515000109	Metallic	Segmented 8x6	100	-	Big removals, laminated glass	10
1D	U19515000009	Metallic	Segmented 12,5x8	100	-	Big removals, laminated glass	9

POSITION 1 - XTRALINE

Pos	Code	Type	Crown & size	Grit	Price	Note	Picture
1A	U28915000008	Metallic	Cont/Slots 8x8	100	-	With Slots, float and laminated glass	8
1B	U29515000007	Metallic	Segmented 8x6	100	-	Big removals, laminated glass	10
1C	U29515000009	Metallic	Segmented 12,5x8	100	-	Big removals, laminated glass	9

POSIZIONE 2

Pos	Code	Type	Crown & size	Grit	Price	Note	Picture
2A	U19415000269	Metallic	Continuous 8x8	120	-	Float glass, small / medium removals	4
2B	U18915000044	Metallic	Cont/Slots 8x8	120	-	With Slots, float and laminated glass	8
2C	U19515000107	Metallic	Segmented 8x6	120	-	Big removals, laminated glass	10

POSITION 2 - XTRALINE

Pos	Code	Type	Crown & size	Grit	Price	Note	Picture
2A	U28915000007	Metallic	Cont/Slots 8x8	120	-	With Slots, float and laminated glass	8
2B	U29515000006	Metallic	Segmented 8x6	120	-	Big removals, laminated glass	10

POSIZIONE 3

Pos	Code	Type	Crown & size	Grit	Price	Note	Picture
3A	U19215000003	Resin	Segmented 20x8	200	-	Resin open sectors, high quality and speed	7
3B	U18815000118	Metallic	Continuous 8x8	200	-	Float glass, small / medium removals	4
3C	U18915000043	Metallic	Cont/Slots 8x8	200	-	With Slots, float and laminated glass	8
3D	U19515000108	Metallic	Segmented 8x6	200	-	Big removals, laminated glass	10

POSITION 3 - XTRALINE

Pos	Code	Type	Crown & size	Grit	Price	Note	Picture
3A	U19215000003	Resin	Segmented 20x8	200	-	Resin open sectors, high quality and speed	7
3B	U28915000009	Metallic	Cont/Slots 8x8	200	-	With Slots, float and laminated glass	8
3C	U29515000004	Metallic	Segmented 8x6	200	-	Big removals, laminated glass	10

POSITION 4 & 5

Pos	Code	Type	Crown & size	Grit	Price	Note	Picture
A	U19015000087	Resin	Continuous 15x10	200	-	Resin for arrosis, good quality and speed	5
B	U29415000008	Metallic	Continuous 8x4	325	-	Metallic for arrosis	4
C	U19415000160	Metallic	Continuous w15	120/270	-	Double grit wheel for chamfering, 150 mm	0

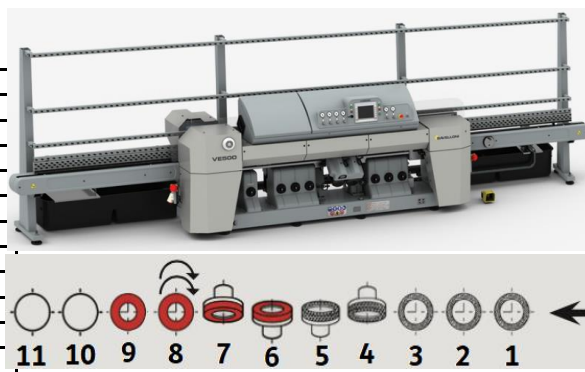
POSITION 6 & 7

Pos	Code	Type	Crown & size	Grit	Price	Note	Picture
A	U50615000004	Polishing	Continuous w19	-	-	Small and medium arrosis	13
B	U50815000045	Polishing	Continuous w20	-	-	EK120SJ, BORE 70 mm	15
C	U51915020061	Polishing	Continuous w22,5	-	-	10S60, alu plate, continuous	22
D	U51915020064	Polishing	Continuous w22,5	-	-	10S120, alu plate, continuous	22

BAVELLONI VE 350 11

Also compatible with:
Bavelloni GEMY11, HYION 11, VE 500 11

Pos	Type	Fitting	Diameter	RPM
1	Diamond	J40	150	2800
2	Diamond	J40	150	2800
3	Diamond	J40	150	2800
4	Diamond	J40	150	2800
5	Polishing	J40	150	2800
6	Polishing	J40	150	2800
7	Polishing	J40	150	2800
8	Polishing	J40	150	1400/2800
9	Polishing	J40	150	2800
10	Polishing	J40	150	1400
11	Polishing	J40	150	1400



POSITION 8

Pos	Code	Type	Crown & size	Grit	Price	Note	Picture
8A	U51915020060	Polishing	Continuous w22,5	-	-	10S40, alu plate, continuous	22
8B	U51915020099	Polishing	Segmented w22,5	-	-	10S40, alu plate. Segmented, lami Glass	24

POSITION 9

Pos	Code	Type	Crown & size	Grit	Price	Note	Picture
9A	U51915020060	Polishing	Continuous w22,5	-	-	10S40, alu plate, continuous	22
9B	U51915020099	Polishing	Segmented w22,5	-	-	10S40, alu plate. Segmented, lami Glass	24
9C	U51915020061	Polishing	Continuous w22,5	-	-	10S60, alu plate, continuous	22
9D	U51915020100	Polishing	Segmented w22,5	-	-	10S60, alu plate. Segmented, lami Glass	24

POSITION 10

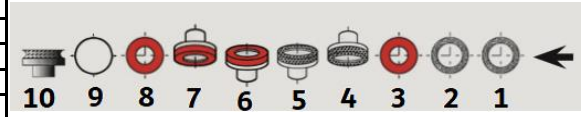
Pos	Code	Type	Crown & size	Grit	Price	Note	Picture
10A	U51615000033	Cerium	Continuous w26,5	-	-	Aluminium plate, J40	16
10B	U51615000043	Xtrashine	Continuous w20	-	-	Extrashine: Exclusive, best quality.	18
10C	U51615000036	Cerium	Continuous w26,5	-	-	Resin plate, bore 70	17
10D	U51615000048	Cerium	Segmented w26	-	-	Resin plate, segmented, lami Gass	19
10E	U50815000001	Cerium	Continuous w26,5	-	-	Solid rubber body, bore 70 mm	14

POSITION 11

Pos	Code	Type	Crown & size	Grit	Price	Note	Picture
11A	U51615000033	Cerium	Continuous w26,5	-	-	Aluminium plate, J40	16
11B	U51615000043	Xtrashine	Continuous w20	-	-	Extrashine: Exclusive, best quality.	18
11C	U51615000036	Cerium	Continuous w26,5	-	-	Resin plate, bore 70	17
11D	U51615000048	Cerium	Segmented w26	-	-	Resin plate, segmented, lami Gass	19
11E	U50815000001	Cerium	Continuous w26,5	-	-	Solid rubber body, bore 70 mm	14
11F	U52915000002	Felt	Continuous w40	-	-	Pink Felt, resin plate with J40	25

BAVELLONI VE 350 9C

Also compatible with:
Bavelloni GEMY9C, HYION9C



Pos	Tipo	Fitting	Diameter	RPM
1	Diamond	J40	150	2800
2	Diamond	J40	150	2800
3	Diamond	J40	150	2800
4	Diamond	J40	150	2800
5	Polishing	J40	150	2800
6	Polishing	J40	150	2800
7	Polishing	J40	150	2800
8	Polishing	J40	150	2800
9	Polishing	J40	150	1400
10	Diamond		50	2800

POSITION 1

Pos	Code	Type	Crown & size	Grit	Price	Note	Picture
1A	U19415000269	Metallic	Continuous 8x8	120	-	Float glass, small / medium removals	4
1B	U18915000044	Metallic	Cont/Slots 8x8	120	-	With Slots, float and laminated glass	8
1C	U19515000107	Metallic	Segmented 8x6	120	-	Big removals, laminated glass	10

POSITION 1 - XTRALINE

Pos	Code	Type	Crown & size	Grit	Price	Note	Picture
1A	U28915000007	Metallic	Cont/Slots 8x8	120	-	With Slots, float and laminated glass	8
1B	U29515000006	Metallic	Segmented 8x6	120	-	Big removals, laminated glass	10

POSITION 2

Pos	Code	Type	Crown & size	Grit	Price	Note	Picture
2A	U18815000118	Metallic	Continuous 8x8	200	-	Float glass, small / medium removals	4
2B	U18915000043	Metallic	Cont/Slots 8x8	200	-	With Slots, float and laminated glass	8
2C	U19515000108	Metallic	Segmented 8x6	200	-	Big removals, laminated glass	10

POSIZIONE 2 - XTRALINE

Pos	Code	Type	Crown & size	Grit	Price	Note	Picture
2A	U28915000009	Metallic	Cont/Slots 8x8	200	-	With Slots, float and laminated glass	8
2B	U29515000004	Metallic	Segmented 8x6	200	-	Big removals, laminated glass	10

POSITION 3

Pos	Code	Type	Crown & size	Grit	Price	Note	Picture
3A	U51915020060	Polishing	Continuous w22,5	-	-	10S40, alu plate, continuous	22
3B	U51915020099	Polishing	Segmented w22,5	-	-	10S40, alu plate. Segmented, lami Glass	24

POSITION 4 & 5

Pos	Code	Type	Crown & size	Grit	Price	Note	Picture
A	U19015000087	Resin	Continuous 15x10	200	-	Resin for arassis, good quality and speed	5
B	U29415000008	Metallic	Continuous 8x4	325	-	Metallic for arassis	4
C	U19415000160	Metallic	Continuous w15	120/270	-	Double grit wheel for chamfering, 150 mm	0

POSITION 6 & 7

Pos	Code	Type	Crown & size	Grit	Price	Note	Picture
A	U50615000004	Polishing	Continuous w19	-	-	Small and medium arassis	13
B	U50815000045	Polishing	Continuous w20	-	-	EK120SJ, BORE 70 mm	15
C	U51915020061	Polishing	Continuous w22,5	-	-	10S60, alu plate, continuous	22
D	U51915020064	Polishing	Continuous w22,5	-	-	10S120, alu plate, continuous	22

POSITION 8

Pos	Code	Type	Crown & size	Grit	Price	Note	Picture
8A	U51915020060	Polishing	Continuous w22,5	-	-	10S40, alu plate, continuous	22
8B	U51915020099	Polishing	Segmented w22,5	-	-	10S40, alu plate. Segmented, lami Glass	24
8C	U51915020061	Polishing	Continuous w22,5	-	-	10S60, alu plate, continuous	22
8D	U51915020100	Polishing	Segmented w22,5	-	-	10S60, alu plate. Segmented, lami Glass	24

POSITION 9

Pos	Code	Type	Crown & size	Grit	Price	Note	Picture
9A	U51615000033	Cerium	Continuous w26,5	-	-	Aluminium plate, J40	16
9B	U51615000043	Xtrashine	Continuous w20	-	-	Extrashine: Exclusive, best quality.	18
9C	U51615000036	Cerium	Continuous w26,5	-	-	Resin plate, bore 70	17
9D	U51615000048	Cerium	Segmented w26	-	-	Resin plate, segmented, lami Gass	19
9E	U50815000001	Cerium	Continuous w26,5	-	-	Solid rubber body, bore 70 mm	14

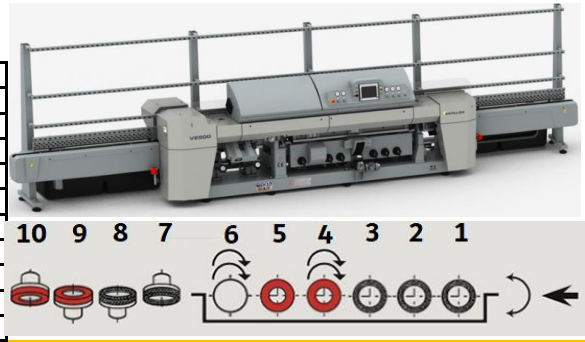
POSITION 10

Pos	Code	Type	Crown & size	Grit	Price	Note	Picture
10A	U13405000013	Metallic	U25 X3	325	-	Corner cutting wheel	1

BAVELLONI VE 500 V10

Also compatible with:
Bavelloni GEMYV10, HYIONV10

Pos	Tipo	Fitting	Diameter	RPM
1	Diamond	J40	150	2800
2	Diamond	J40	150	2800
3	Diamond	J40	150	2800
4	Polishing	J40	150	1400 / 2800
5	Polishing	J40	150	2800
6	Polishing	J40	150	1400 / 2800
7	Diamond	J40	150	2800
8	Diamond	J40	150	2800
9	Polishing	J40	150	2800
10	Polishing	J40	150	2800



POSITION 1

Pos	Code	Type	Crown & size	Grit	Price	Note	Picture
1A	U19515000117	Metallic	Segmented 15x5	100	-	Big removals, mitering for V10 and V14	11

POSITION 1 - XTRALINE

Pos	Code	Type	Crown & size	Grit	Price	Note	Picture
1A	U29515000001	Metallic	Segmented 15x5	100	-	Chamfering, big removals	11

POSITION 2

Pos	Code	Type	Crown & size	Grit	Price	Note	Picture
2A	U19415000269	Metallic	Continuous 8x8	120	-	Float glass, small / medium removals	4
2B	U18915000044	Metallic	Cont/Slots 8x8	120	-	With Slots, float and laminated glass	8
2C	U19515000122	Metallic	Segmented 15x5	120	-	Big removals, laminated glass	11

POSITION 2 - XTRALINE

Pos	Code	Type	Crown & size	Grit	Price	Note	Picture
2A	U28915000007	Metallic	Cont/Slots 8x8	120	-	With Slots, float and laminated glass	8
2B	U29515000003	Metallic	Segmented 15x5	120	-	Chamfering, big removals	11

POSIZIONE 3

Pos	Code	Type	Crown & size	Grit	Price	Note	Picture
3A	U19215000003	Resin	Segmented 20x8	200	-	Resin open sectors, high quality and speed	7
3B	U18815000118	Metallic	Continuous 8x8	200	-	Float glass, small / medium removals	4
3C	U18915000043	Metallic	Cont/Slots 8x8	200	-	With Slots, float and laminated glass	8
3D	U19515000108	Metallic	Segmented 8x6	200	-	Big removals, laminated glass	10

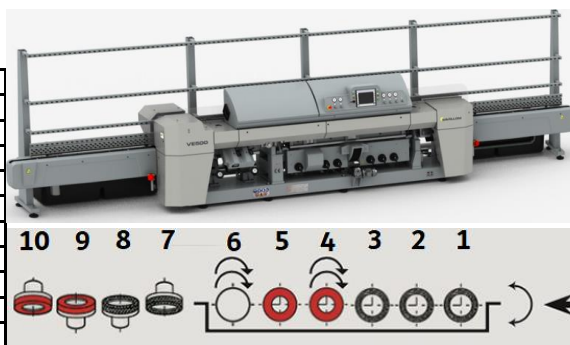
POSITION 3 - XTRALINE

Pos	Code	Type	Crown & size	Grit	Price	Note	Picture
3A	U19215000003	Resin	Segmented 20x8	200	-	Resin open sectors, high quality and speed	7
3B	U28915000009	Metallic	Cont/Slots 8x8	200	-	With Slots, float and laminated glass	8
3C	U29515000004	Metallic	Segmented 8x6	200	-	Big removals, laminated glass	10

BAVELLONI VE 500 V10

Also compatible with:
Bavelloni GEMYV10, HYIONV10

Pos	Tipo	Fitting	Diameter	RPM
1	Diamond	J40	150	2800
2	Diamond	J40	150	2800
3	Diamond	J40	150	2800
4	Polishing	J40	150	1400 / 2800
5	Polishing	J40	150	2800
6	Polishing	J40	150	1400 / 2800
7	Diamond	J40	150	2800
8	Diamond	J40	150	2800
9	Polishing	J40	150	2800
10	Polishing	J40	150	2800



POSITION 4

Pos	Code	Type	Crown & size	Grit	Price	Note	Picture
4A	U51915020060	Polishing	Continuous w22,5	-	-	10S40, alu plate, continuous	22
4B	U51915020099	Polishing	Segmented w22,5	-	-	10S40, alu plate. Segmented, lami Glass	24

POSITION 5

Pos	Code	Type	Crown & size	Grit	Price	Note	Picture
5A	U51915020060	Polishing	Continuous w22,5	-	-	10S40, alu plate, continuous	22
5A	U51915020099	Polishing	Segmented w22,5	-	-	10S40, alu plate. Segmented, lami Glass	24
5B	U51915020061	Polishing	Continuous w22,5	-	-	10S60, alu plate, continuous	22
5C	U51915020100	Polishing	Segmented w22,5	-	-	10S60, alu plate. Segmented, lami Glass	24

POSITION 6

Pos	Code	Type	Crown & size	Grit	Price	Note	Picture
6A	U51615000033	Cerium	Continuous w26,5	-	-	Aluminium plate, J40	16
6B	U51615000043	Xtrashine	Continuous w20	-	-	Extrashine: Exclusive, best quality.	18
6C	U51615000036	Cerium	Continuous w26,5	-	-	Resin plate, bore 70	17
6D	U50815000001	Cerium	Continuous w26,5	-	-	Solid rubber body, bore 70 mm	14
6E	U51615000048	Cerium	Segmented w26	-	-	Resin plate, segmented, lami Gass	19
6F	U52815000057	Felt	-	-	-	Pink felt	25

POSITION 7 & 8

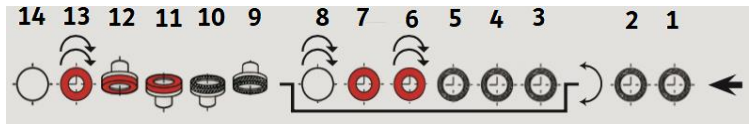
Pos	Code	Type	Crown & size	Grit	Price	Note	Picture
A	U19015000087	Resin	Continuous 15x10	200	-	Resin for arrisis, good quality and speed	5
B	U29415000008	Metallic	Continuous 8x4	325	-	Metallic for arrisis	4
C	U19415000160	Metallic	Continuous w15	120/270	-	Double grit wheel for chamfering, 150 mm	0

POSITION 9 & 10

Pos	Code	Type	Crown & size	Grit	Price	Note	Picture
A	U50615000004	Polishing	Continuous w19	-	-	Small and medium arrisis	13
B	U50815000045	Polishing	Continuous w20	-	-	EK120SJ, BORE 70 mm	15
C	U51915020061	Polishing	Continuous w22,5	-	-	10S60, alu plate, continuous	22
D	U51915020064	Polishing	Continuous w22,5	-	-	10S120, alu plate, continuous	22

BAVELLONI VE 500 V14

Also compatible with:
Bavelloni GEMY V14, HYION V14



Pos	Tipo	Fitting	Diameter	RPM
1	Diamond	J40	150	2800
2	Diamond	J40	150	2800
3	Diamond	J40	150	2800
4	Diamond	J40	150	2800
5	Diamond	J40	150	2800
6	Polishing	J40	150	1400 / 2800
7	Polishing	J40	150	2800
8	Polishing	J40	150	1400 / 2800
9	Diamond	J40	150	2800
10	Diamond	J40	150	2800
11	Polishing	J40	150	2800
12	Polishing	J40	150	2800
13	Polishing	J40	150	1400 / 2800
14	Polishing	J40	150	2800



POSITION 1

Pos	Code	Type	Crown & size	Grit	Price	Note	Picture
1A	U19415000269	Metallic	Continuous 8x8	120	-	Float glass, small / medium removals	4
1B	U18915000044	Metallic	Cont/Slots 8x8	120	-	With Slots, float and laminated glass	8
1C	U19515000107	Metallic	Segmented 8x6	120	-	Big removals, laminated glass	10

POSITION 1 - XTRALINE

Pos	Code	Type	Crown & size	Grit	Price	Note	Picture
1A	U28915000007	Metallic	Cont/Slots 8x8	120	-	With Slots, float and laminated glass	8
1B	U29515000006	Metallic	Segmented 8x6	120	-	Big removals, laminated glass	10

POSITION 2

Pos	Code	Type	Crown & size	Grit	Price	Note	Picture
2A	U18815000118	Metallic	Continuous 8x8	200	-	Float glass, small / medium removals	4
2B	U28915000009	Metallic	Cont/Slots 8x8	200	-	With Slots, float and laminated glass	8

POSITION 2 - XTRALINE

Pos	Code	Type	Crown & size	Grit	Price	Note	Picture
2A	U28915000009	Metallic	Cont/Slots 8x8	200	-	With Slots, float and laminated glass	8
2B	U29515000004	Metallic	Segmented 8x6	200	-	Big removals, laminated glass	10

POSITION 3

Pos	Code	Type	Crown & size	Grit	Price	Note	Picture
3A	U19515000117	Metallic	Segmented 15x5	100	-	Big removals, mitering for V10 and V14	11

POSITION 3 - XTRALINE

Pos	Code	Type	Crown & size	Grit	Price	Note	Picture
3A	U29515000001	Metallic	Segmented 15x5	100	-	Chamfering, big removals	11

POSITION 4

Pos	Code	Type	Crown & size	Grit	Price	Note	Picture
4A	U19415000269	Metallic	Continuous 8x8	120	-	Float glass, small / medium removals	4
4B	U18915000044	Metallic	Cont/Slots 8x8	120	-	With Slots, float and laminated glass	8
4C	U19515000122	Metallic	Segmented 15x5	120	-	Big removals, laminated glass	11

POSITION 4 - XTRALINE

Pos	Code	Type	Crown & size	Grit	Price	Note	Picture
4A	U28915000007	Metallic	Cont/Slots 8x8	120	-	With Slots, float and laminated glass	8
4B	U29515000003	Metallic	Segmented 15x5	120	-	Chamfering, big removals	11

POSITION 5

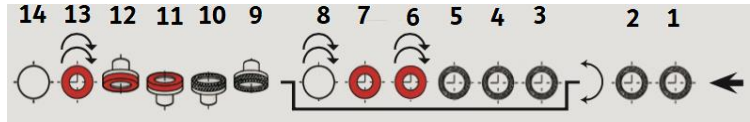
Pos	Code	Type	Crown & size	Grit	Price	Note	Picture
5A	U19215000003	Resin	Segmented 20x8	200	-	Resin open sectors, high quality and speed	7
5B	U18815000118	Metallic	Continuous 8x8	200	-	Float glass, small / medium removals	4
5C	U18915000043	Metallic	Cont/Slots 8x8	200	-	With Slots, float and laminated glass	8
5D	U19515000108	Metallic	Segmented 8x6	200	-	Big removals, laminated glass	10

POSITION 5 - XTRALINE

Pos	Code	Type	Crown & size	Grit	Price	Note	Picture
5A	U19215000003	Resin	Segmented 20x8	200	-	Resin open sectors, high quality and speed	7
5B	U28915000009	Metallic	Cont/Slots 8x8	200	-	With Slots, float and laminated glass	8
5C	U29515000004	Metallic	Segmented 8x6	200	-	Big removals, laminated glass	10

BAVELLONI VE 500 V14

Compatibile anche con:
Bavelloni GEMY V14, HYION V14



Pos	Tipo	Fitting	Diameter	RPM
1	Diamond	J40	150	2800
2	Diamond	J40	150	2800
3	Diamond	J40	150	2800
4	Diamond	J40	150	2800
5	Diamond	J40	150	2800
6	Polishing	J40	150	1400 / 2800
7	Polishing	J40	150	2800
8	Polishing	J40	150	1400 / 2800
9	Diamond	J40	150	2800
10	Diamond	J40	150	2800
11	Polishing	J40	150	2800
12	Polishing	J40	150	2800
13	Polishing	J40	150	1400 / 2800
14	Polishing	J40	150	2800



POSITION 6

Pos	Code	Type	Crown & size	Grit	Price	Note	Picture
6A	U51915020060	Polishing	Continuous w22,5	-	-	10S40, alu plate, continuous	22
6B	U51915020099	Polishing	Segmented w22,5	-	-	10S40, alu plate. Segmented, lami Glass	24

POSITION 7

Pos	Code	Type	Crown & size	Grit	Price	Note	Picture
5A	U51915020060	Polishing	Continuous w22,5	-	-	10S40, alu plate, continuous	22
5A	U51915020099	Polishing	Segmented w22,5	-	-	10S40, alu plate. Segmented, lami Glass	24
5B	U51915020061	Polishing	Continuous w22,5	-	-	10S60, alu plate, continuous	22
5C	U51915020100	Polishing	Segmented w22,5	-	-	10S60, alu plate. Segmented, lami Glass	24

POSITION 8

Pos	Code	Type	Crown & size	Grit	Price	Note	Picture
8A	U51615000033	Cerium	Continuous w26,5	-	-	Aluminium plate, J40	16
8B	U51615000043	Xtrashine	Continuous w20	-	-	Extrashine: Exclusive, best quality.	18
8C	U51615000036	Cerium	Continuous w26,5	-	-	Resin plate, bore 70	17
8E	U50815000001	Cerium	Continuous w26,5	-	-	Solid rubber body, bore 70 mm	14
8F	U51615000048	Cerium	Segmented w26	-	-	Resin plate, segmented, lami Gass	19
8D	U52815000057	Felt	-	-	-	Pink felt	25

POSITION 9 & 10

Pos	Code	Type	Crown & size	Grit	Price	Note	Picture
A	U19015000087	Resin	Continuous 15x10	200	-	Resin for arrisis, good quality and speed	5
B	U29415000008	Metallic	Continuous 8x4	325	-	Metallic for arrisis	4
C	U19415000160	Metallic	Continuous w15	120/270	-	Double grit wheel for chamfering, 150 mm	0

POSITION 11 & 12

Pos	Code	Type	Crown & size	Grit	Price	Note	Picture
A	U50615000004	Polishing	Continuous w19	-	-	Small and medium arrisis	13
B	U50815000045	Polishing	Continuous w20	-	-	EK120SJ, BORE 70 mm	15
C	U51915020061	Polishing	Continuous w22,5	-	-	10S60, alu plate, continuous	22
D	U51915020064	Polishing	Continuous w22,5	-	-	10S120, alu plate, continuous	22

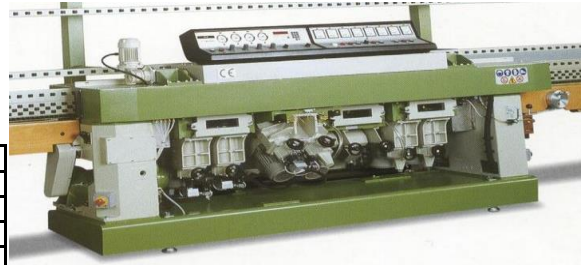
POSITION 13

Pos	Code	Type	Crown & size	Grit	Price	Note	Picture
13A	U51915020060	Polishing	Continuous w22,5	-	-	10S40, alu plate, continuous	22
13B	U51915020099	Polishing	Segmented w22,5	-	-	10S40, alu plate. Segmented, lami Glass	24

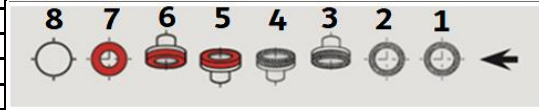
POSITION 14

Pos	Code	Type	Crown & size	Grit	Price	Note	Picture
14A	U51615000033	Cerium	Continuous w26,5	-	-	Aluminium plate, J40	16
14B	U51615000043	Xtrashine	Continuous w20	-	-	Extrashine: Exclusive, best quality.	18
14C	U51615000036	Cerium	Continuous w26,5	-	-	Resin plate, bore 70	17
14D	U50815000001	Cerium	Continuous w26,5	-	-	Solid rubber body, bore 70 mm	14
14E	U51615000048	Cerium	Segmented w26	-	-	Resin plate, segmented, lami Gass	19
14D	U52815000057	Felt	-	-	-	Pink felt	25

BAVELLONI PR 88



Pos	Tipo	Fitting	Diameter	RPM
1	Diamond	J40	150	2800
2	Diamond	J40	150	2800
3	Diamond	J40	100	2800
4	Diamond	J40	100	2800
5	Polishing	J40	100	2800
6	Polishing	J40	100	2800
7	Polishing	J40	150	2800
8	Polishing	J40	150	2800



POSITION 1

Pos	Code	Type	Crown & size	Grit	Price	Note	Picture
1A	U19415000269	Metallic	Continuous 8x8	120	-	Float glass, small / medium removals	4
1B	U18915000044	Metallic	Cont/Slots 8x8	120	-	With Slots, float and laminated glass	8
1C	U19515000107	Metallic	Segmented 8x6	120	-	Big removals, laminated glass	10

POSITION 1 - XTRALINE

Pos	Code	Type	Crown & size	Grit	Price	Note	Picture
1A	U28915000007	Metallic	Cont/Slots 8x8	120	-	With Slots, float and laminated glass	8
1B	U29515000006	Metallic	Segmented 8x6	120	-	Big removals, laminated glass	10

POSITION 2

Pos	Code	Type	Crown & size	Grit	Price	Note	Picture
2A	U18815000118	Metallic	Continuous 8x8	200	-	Float glass, small / medium removals	4
2B	U28915000009	Metallic	Cont/Slots 8x8	200	-	With Slots, float and laminated glass	8

U29515000004

POSITION 2 - XTRALINE

Pos	Code	Type	Crown & size	Grit	Price	Note	Picture
2A	U28915000009	Metallic	Cont/Slots 8x8	200	-	With Slots, float and laminated glass	8
2B	U29515000004	Metallic	Segmented 8x6	200	-	Big removals, laminated glass	10

POSITION 3 & 4

Pos	Code	Type	Crown & size	Grit	Price	Note	Picture
A	U29010000001	Resin	Continuous 15x10	200	-	Arris for PR and CR	5
B	U19410000014	Metallic	Continuous 8x4	325	-	Metallic arris for PR / CR	4
C	U19410000004	Metallic	Continuous w15	120/270	-	Double grit wheel for chamfering, 100 mm	0

POSITION 5 & 6

Pos	Code	Type	Crown & size	Grit	Price	Note	Picture
A	U50810000017	Polishing	Continuous w20	-	-	Polishing arris for PR88 CR 1111	13

POSITION 7

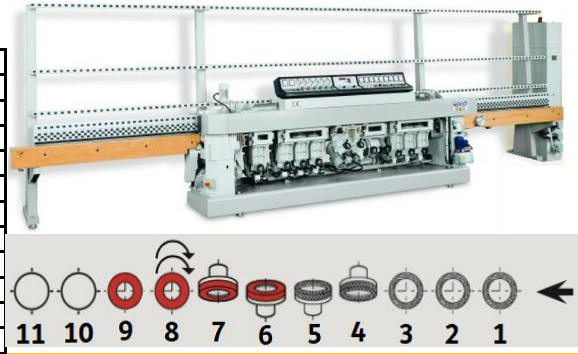
Pos	Code	Type	Crown & size	Grit	Price	Note	Picture
7A	U51915020060	Polishing	Continuous w22,5	-	-	10S40, alu plate, continuous	22
7B	U51915020099	Polishing	Segmented w22,5	-	-	10S40, alu plate. Segmented, lami Glass	24

POSITION 8

Pos	Code	Type	Crown & size	Grit	Price	Note	Picture
8A	U51615000033	Cerium	Continuous w26,5	-	-	Aluminium plate, J40	16
8B	U51615000043	Xtrashine	Continuous w20	-	-	Extrashine: Exclusive, best quality.	18
8C	U51615000036	Cerium	Continuous w26,5	-	-	Resin plate, bore 70	17
8D	U50815000001	Cerium	Continuous w26,5	-	-	Solid rubber body, bore 70 mm	14

BAVELLONI CR 1111

Pos	Type	Fitting	Diameter	RPM
1	Diamond	J40	150	2800
2	Diamond	J40	150	2800
3	Diamond	J40	150	2800
4	Diamond	J40	150	2800
5	Polishing	J40	150	2800
6	Polishing	J40	150	2800
7	Polishing	J40	150	2800
8	Polishing	J40	150	1400/2800
9	Polishing	J40	150	2800
10	Polishing	J40	150	1400
11	Polishing	J40	150	1400



POSITION 1

Pos	Code	Type	Crown & size	Grit	Price	Note	Foto
1A	U19415000270	Metallic	Continuous 8x8	100	-	Float glass, small / medium removals	4
1B	U18915000045	Metallic	Cont/Slots 8x8	100	-	With Slots, float and laminated glass	8
1C	U19515000109	Metallic	Segmented 8x6	100	-	Big removals, laminated glass	10
1D	U19515000009	Metallic	Segmented 12,5x8	100	-	Big removals, laminated glass	9

POSITION 1 - XTRALINE

Pos	Code	Type	Crown & size	Grit	Price	Note	Picture
1A	U28915000008	Metallic	Cont/Slots 8x8	100	-	With Slots, float and laminated glass	8
1B	U29515000007	Metallic	Segmented 8x6	100	-	Big removals, laminated glass	10
1C	U29515000009	Metallic	Segmented 12,5x8	100	-	Big removals, laminated glass	9

POSIZIONE 2

Pos	Code	Type	Crown & size	Grit	Price	Note	Picture
2A	U19415000269	Metallic	Continuous 8x8	120	-	Float glass, small / medium removals	4
2B	U18915000044	Metallic	Cont/Slots 8x8	120	-	With Slots, float and laminated glass	8
2C	U19515000107	Metallic	Segmented 8x6	120	-	Big removals, laminated glass	10

POSITION 2 - XTRALINE

Pos	Code	Type	Crown & size	Grit	Price	Note	Picture
2A	U28915000007	Metallic	Cont/Slots 8x8	120	-	With Slots, float and laminated glass	8
2B	U29515000006	Metallic	Segmented 8x6	120	-	Big removals, laminated glass	10

POSIZIONE 3

Pos	Code	Type	Crown & size	Grit	Price	Note	Picture
3A	U19215000003	Resin	Segmented 20x8	200	-	Resin open sectors, high quality and speed	7
3B	U18815000118	Metallic	Continuous 8x8	200	-	Float glass, small / medium removals	4
3C	U18915000043	Metallic	Cont/Slots 8x8	200	-	With Slots, float and laminated glass	8
3D	U19515000108	Metallic	Segmented 8x6	200	-	Big removals, laminated glass	10

POSITION 3 - XTRALINE

Pos	Code	Type	Crown & size	Grit	Price	Note	Picture
3A	U19215000003	Resin	Segmented 20x8	200	-	Resin open sectors, high quality and speed	7
3B	U28915000009	Metallic	Cont/Slots 8x8	200	-	With Slots, float and laminated glass	8
3C	U29515000004	Metallic	Segmented 8x6	200	-	Big removals, laminated glass	10

POSITION 4 & 5

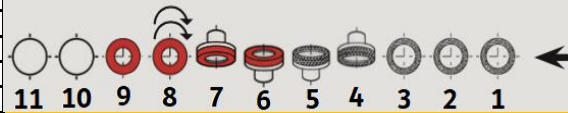
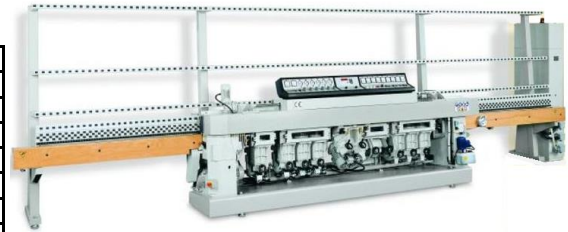
Pos	Code	Type	Crown & size	Grit	Price	Note	Picture
A	U29010000001	Resin	Continuous 15x10	200	-	Arris for PR and CR	5
B	U19410000014	Metallic	Continuous 8x4	325	-	Metallic arris for PR / CR	4
C	U19410000004	Metallic	Continuous w15	120/270	-	Double grit wheel for chamfering, 100 mm	0

POSITION 6 & 7

Pos	Code	Type	Crown & size	Grit	Price	Note	Picture
A	U50810000017	Polishing	Continuous w20	-	-	Polishing arris for PR88 CR 1111	13

BAVELLONI CR 1111

Pos	Type	Fitting	Diameter	RPM
1	Diamond	J40	150	2800
2	Diamond	J40	150	2800
3	Diamond	J40	150	2800
4	Diamond	J40	150	2800
5	Polishing	J40	150	2800
6	Polishing	J40	150	2800
7	Polishing	J40	150	2800
8	Polishing	J40	150	1400/2800
9	Polishing	J40	150	2800
10	Polishing	J40	150	1400
11	Polishing	J40	150	1400



POSITION 8

Pos	Code	Type	Crown & size	Grit	Price	Note	Picture
8A	U51915020060	Polishing	Continuous w22,5	-	-	10S40, alu plate, continuous	22
8B	U51915020099	Polishing	Segmented w22,5	-	-	10S40, alu plate. Segmented, lami Glass	24

POSITION 9

Pos	Code	Type	Crown & size	Grit	Price	Note	Picture
9A	U51915020060	Polishing	Continuous w22,5	-	-	10S40, alu plate, continuous	22
9B	U51915020099	Polishing	Segmented w22,5	-	-	10S40, alu plate. Segmented, lami Glass	24
9C	U51915020061	Polishing	Continuous w22,5	-	-	10S60, alu plate, continuous	22
9D	U51915020100	Polishing	Segmented w22,5	-	-	10S60, alu plate. Segmented, lami Glass	24

POSITION 10

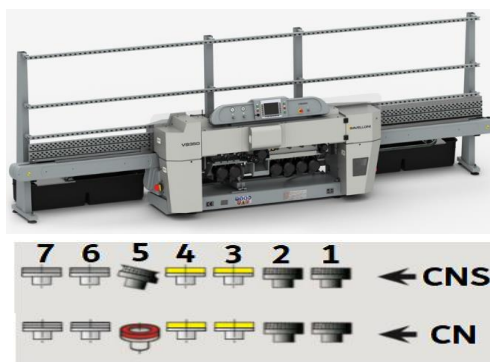
Pos	Code	Type	Crown & size	Grit	Price	Note	Picture
10A	U51615000033	Cerium	Continuous w26,5	-	-	Aluminium plate, J40	16
10B	U51615000043	Xtrashine	Continuous w20	-	-	Extrashine: Exclusive, best quality.	18
10C	U51615000036	Cerium	Continuous w26,5	-	-	Resin plate, bore 70	17
10D	U51615000048	Cerium	Segmented w26	-	-	Resin plate, segmented, lami Gass	19
10E	U50815000001	Cerium	Continuous w26,5	-	-	Solid rubber body, bore 70 mm	14

POSITION 11

Pos	Code	Type	Crown & size	Grit	Price	Note	Picture
11A	U51615000033	Cerium	Continuous w26,5	-	-	Aluminium plate, J40	16
11B	U51615000043	Xtrashine	Continuous w20	-	-	Extrashine: Exclusive, best quality.	18
11C	U51615000036	Cerium	Continuous w26,5	-	-	Resin plate, bore 70	17
11D	U51615000048	Cerium	Segmented w26	-	-	Resin plate, segmented, lami Gass	19
11E	U50815000001	Cerium	Continuous w26,5	-	-	Solid rubber body, bore 70 mm	14
11F	U52915000002	Felt	Continuous w40	-	-	Pink Felt, resin plate with J40	25

BAVELLONI VB 350 CN-CNS

Also compatible with:
Bavelloni B73 - B75



Pos	Tipo	Fitting	Diameter	RPM
1	Diamond	J40	150	2800
2	Diamond	J40	150	2800
3	Diamond	J40	100	2800
4	Diamond	J40	100	2800
5cn	Polishing	J40	100	2800
5cns	Polishing	J40	100	2800
6	Polishing	J40	150	1400
7	Polishing	J40	150	1400

POSITION 1

Pos	Code	Type	Crown & size	Grit	Price	Note	Picture
1A	U18815000038	Metallic	Continuous 5x12	AA	-	Metallic bevelling	3
1B	U18815000070	Metallic	Continuous 5x12	80	-	Metallic bevelling Long Life	3

POSITION 2

Pos	Code	Type	Crown & size	Grit	Price	Note	Picture
2A	U18815000040	Metallic	Continuous 4x12	140	-	Metallic bevelling	3
2B	U18815000096	Metallic	Continuous 4x12	140	-	Metallic bevelling Long Life	3

POSITION 3

Pos	Code	Type	Crown & size	Grit	Price	Note	Picture
3A	U19015000084	Resin	Continuous 15x10	270	-	Resin for bevelling	5
3B	U19115000049	Resin	Turbo 20x8	270	-	Resin turbo	6
3C	U19115000053	Resin	Turbo 20x10	270	-	Resin turbo, long life	6

POSITION 4

Pos	Code	Type	Crown & size	Grit	Price	Note	Picture
4A	U19015000085	Resin	Continuous 15x10	700	-	Resin for bevelling	5
4B	U19115000038	Resin	Turbo 20x8	700	-	Resin turbo	6
4C	U19115000052	Resin	Turbo 20x10	700	-	Resin turbo, long life	6

POSITION 5 CN

Pos	Code	Type	Crown & size	Grit	Price	Note	Picture
5A	U50610000001	Polishing	Continuous w20	-	-	Polishing arris	13
5B	U19410000006	Metallic	Continuous 8x4	700	-	Diamond arris, Long Life	4

POSITION 5 CNS

Pos	Code	Type	Crown & size	Grit	Price	Note	Picture
5A	U10017500005	Metallic	Continuous U7 X3	325	-	Diamond 175, CNS group, B73/VB350	0

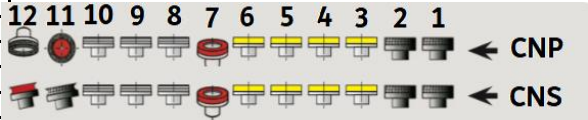
POSITION 6 & 7

Pos	Code	Type	Crown & size	Grit	Price	Note	Picture
A	U52915000002	Felt	Continuous w40	-	-	Pink Felt, resin plate with J40	25
B	U52815000060	Felt	Continuous	-	-	Pink felt, only ring	25

BAVELLONI VB 500 CNP-CNS

Also compatible with:
Bavelloni MAX 50 - MAX 60 - MAX 80

Pos	Tipo	Fitting	Diameter	RPM
1	Diamond	J40	150	2800
2	Diamond	J40	150	2800
3	Diamond	J40	150	2800
4	Diamond	J40	150	2800
5	Polishing	J40	150	2800
6	Polishing	J40	150	2800
7	Polishing	J40	100	2800
8	Polishing	J40	150	1400
9	Polishing	J40	150	1400
10	Polishing	J40	150	1400
11	See below			
12	See below			



POSITION 1

Pos	Code	Type	Crown & size	Grit	Price	Note	Picture
1A	U18815000038	Metallic	Continuous 5x12	AA	-	Metallic bevelling	3
1B	U18815000070	Metallic	Continuous 5x12	80	-	Metallic bevelling Long Life	3

POSITION 2

Pos	Code	Type	Crown & size	Grit	Price	Note	Picture
2A	U18815000040	Metallic	Continuous 4x12	140	-	Metallic bevelling	3
2B	U18815000096	Metallic	Continuous 4x12	140	-	Metallic bevelling Long Life	3

POSITION 3

Pos	Code	Type	Crown & size	Grit	Price	Note	Picture
3A	U19015000083	Resin	Continuous 15x10	200	-	Resin for bevelling	5
3B	U19115000068	Resin	Turbo 20x8	200	-	Resin turbo	6
3C	U19115000035	Resin	Turbo 20x10	200	-	Resin turbo, long life	6

POSITION 4

Pos	Code	Type	Crown & size	Grit	Price	Note	Picture
4A	U19015000084	Resin	Continuous 15x10	270	-	Resin for bevelling	5
4B	U19115000049	Resin	Turbo 20x8	270	-	Resin turbo	6
4C	U19115000053	Resin	Turbo 20x10	270	-	Resin turbo, long life	6

POSITION 5

Pos	Code	Type	Crown & size	Grit	Price	Note	Picture
5A	U19015000085	Resin	Continuous 15x10	700	-	Resin for bevelling	5
5B	U19115000038	Resin	Turbo 20x8	700	-	Resin turbo	6
5C	U19115000052	Resin	Turbo 20x10	700	-	Resin turbo, long life	6

POSITION 6

Pos	Code	Type	Crown & size	Grit	Price	Note	Picture
6A	U19015000085	Resin	Continuous 15x10	700	-	Resin for bevelling	5
6B	U19115000038	Resin	Turbo 20x8	700	-	Resin turbo	6
6C	U19115000052	Resin	Turbo 20x10	700	-	Resin turbo, long life	6

POSITION 7

Pos	Code	Type	Crown & size	Grit	Price	Note	Picture
7A	U50610000001	Polishing	Continuous w20	-	-	Polishing arris	13
7B	U19410000006	Metallic	Continuous 8x4	700	-	Diamond arris, Long Life	4

POSITION 8 & 9 & 10

Pos	Code	Type	Crown & size	Grit	Price	Note	Picture
A	U52915000002	Felt	Continuous w40	-	-	Pink Felt, resin plate with J40	25
B	U52815000060	Felt	Continuous	-	-	Pink felt, only ring	25

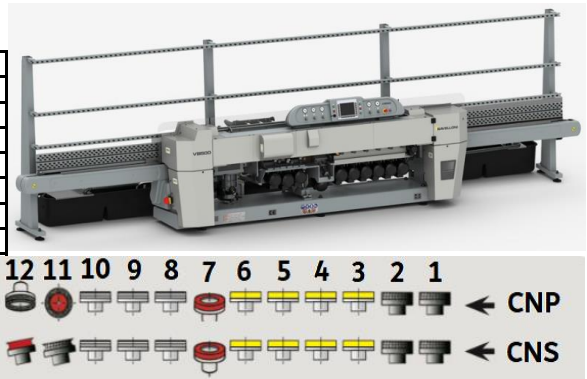
POSITION 11 - CNS

Pos	Code	Type	Crown & size	Grit	Price	Note	Picture
11	U10017500001	Metallic	Continuous U7 X3	230	-	Diamond 175, CNS group, Max/VB500	0

BAVELLONI VB 500 CNP-CNS

Also compatible with:
Bavelloni MAX 50 - MAX 60 - MAX 80

Pos	Tipo	Fitting	Diameter	RPM
1	Diamond	J40	150	2800
2	Diamond	J40	150	2800
3	Diamond	J40	150	2800
4	Diamond	J40	150	2800
5	Polishing	J40	150	2800
6	Polishing	J40	150	2800
7	Polishing	J40	100	2800
8	Polishing	J40	150	1400
9	Polishing	J40	150	1400
10	Polishing	J40	150	1400
11	See below			
12	See below			



POSITION 12 - CNS

Pos	Code	Type	Crown & size	Grit	Price	Note	Picture
12	U50920000001	Polishing	Continuous	-	-	Polishing for CNS group	0

POSITION 11 - CNP

Pos	Code	Type	Crown & size	Grit	Price	Note	Picture
11	U19416000019	Metallic	Continuous 8x4	230	-	Diamond, CNP for bevelling	4

POSITION 11 A - CNP

Pos	Code	Type	Crown & size	Grit	Price	Note	Picture
A	U51913020001	Polishing	Continuous w20	-	-	Polishing 130 mm for CNP group	20

POSITION 12 - CNP

Pos	Code	Type	Crown & size	Grit	Price	Note	Picture
12	U19410000015	Metallic	Continuous 7x4	325	-	Back arris	4

BAVELLONI HE 500

Also compatible with:
Bavelloni PowerEdge, XtraEdge



Machines can be customized according to specific needs.

Machines have 3 different sections:

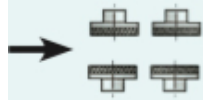
GRINDING SECTION: 2, 3, 4 positions available, with or without

ARRISING SECTION: 2, 3 positions available for each arris

POLISHING SECTION: 2, 3, 4 positions available

GRINDING SECTION

2 POSITIONS GRINDING SECTION (Nr. 2 Cup wheels)



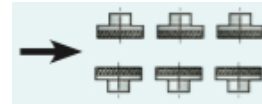
POSITION 1

Pos	Code	Type	Crown & size	Grit	Price	Note	Picture
1A	U28917500006	Metallic	Cont/Slots 8x8	120	-	With Slots, float and laminated glass	8
1B	U29517500005	Metallic	Segmented 8x6	120	-	Big removals, laminated glass	10

POSITION 2

Pos	Code	Type	Crown & size	Grit	Price	Note	Picture
2A	U28917500007	Metallic	Cont/Slots 8x8	200	-	With Slots, float and laminated glass	8
2B	U29517500011	Metallic	Segmented 8x6	200	-	Big removals, laminated glass	10

3 POSITIONS GRINDING SECTION (Nr. 3 Cup wheels, Nr. 1 oscillating + nr. 2 cup wheels)



POSITION 1

Pos	Code	Type	Crown & size	Grit	Price	Note	Picture
1A	U28917500009	Metallic	Cont/Slots 8x8	100	-	With Slots, float and laminated glass	8
1B	U29517500002	Metallic	Segmented 12,5x8	100	-	Big removals, laminated glass	9
1OS	U13520000022	Metallic	Segmented u40x5	80	-	Peripheral oscillating DE, big removals	2

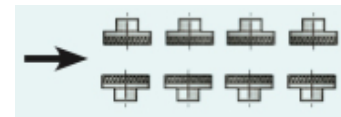
POSITION 2

Pos	Code	Type	Crown & size	Grit	Price	Note	Picture
2A	U28917500006	Metallic	Cont/Slots 8x8	120	-	With Slots, float and laminated glass	8
2B	U29517500005	Metallic	Segmented 8x6	120	-	Big removals, laminated glass	10

POSITION 3

Pos	Code	Type	Crown & size	Grit	Price	Note	Picture
3A	U19217500003	Resin	Segmented 20x8	200	-	Resin open sectors, high quality and speed	7
3B	U28917500007	Metallic	Cont/Slots 8x8	200	-	With Slots, float and laminated glass	8
3C	U29517500011	Metallic	Segmented 8x6	200	-	Big removals, laminated glass	10

4 POSITIONS GRINDING SECTION (Nr. 4 Cup wheels, Nr. 1 oscillating + nr. 3 cup wheels)



POSITION 1

Pos	Code	Type	Crown & size	Grit	Price	Note	Picture
1A	U28917500009	Metallic	Cont/Slots 8x8	100	-	With Slots, float and laminated glass	8
1B	U29517500002	Metallic	Segmented 12,5x8	100	-	Big removals, laminated glass	9
1OS	U13520000022	Metallic	Segmented u40x5	80	-	Peripheral oscillating DE, big removals	2

POSITION 2 & 3

Pos	Code	Type	Crown & size	Grit	Price	Note	Picture
A	U28917500006	Metallic	Cont/Slots 8x8	120	-	With Slots, float and laminated glass	8
B	U29517500005	Metallic	Segmented 8x6	120	-	Big removals, laminated glass	10

POSITION 4

Pos	Code	Type	Crown & size	Grit	Price	Note	Picture
3A	U19217500003	Resin	Segmented 20x8	200	-	Resin open sectors, high quality and speed	7
3B	U28917500007	Metallic	Cont/Slots 8x8	200	-	With Slots, float and laminated glass	8
3C	U29517500011	Metallic	Segmented 8x6	200	-	Big removals, laminated glass	10

BAVELLONI HE 500

Also compatible with:
Bavelloni PowerEdge, XtraEdge



Machines can be customized according to specific needs.

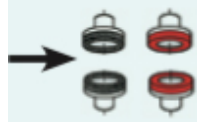
Machines have 3 different sections:

GRINDING SECTION: 2, 3, 4 positions available, with or without oscillating spindle

ARRISING SECTION: 2, 3 positions available for each arris

POLISHING SECTION: 2, 3, 4 positions available

2 POSITIONS ARRISING SECTION (Nr. 2 wheels: 1 diamond + 1 polishing)



POSITION 1

Pos	Code	Type	Crown & size	Grit	Price	Note	Picture
1A	U19015000087	Resin	Continuous 15x10	200	-	Resin for arrisis, good quality and speed	5
1B	U29415000008	Metallic	Continuous 8x4	325	-	Metallic for arrisis	4

POSITION 2

Pos	Code	Type	Crown & size	Grit	Price	Note	Picture
2A	U50615000004	Polishing	Continuous w19	-	-	Small and medium arrisis	13
2B	U50815000045	Polishing	Continuous w20	-	-	EK120SJ, BORE 70 mm	15
2C	U51915020061	Polishing	Continuous w22,5	-	-	10S60, alu plate, continuous	22
2D	U51915020064	Polishing	Continuous w22,5	-	-	10S120, alu plate, continuous	22

3 POSITIONS ARRISING SECTION (Nr. 3 wheels: 2 diamond + 1 polishing)



POSITION 1

Pos	Code	Type	Crown & size	Grit	Price	Note	Picture
1A	U29515000003	Metallic	Segmented 15x5	120	-	Chamfering, big removals	11

POSITION 2

Pos	Code	Type	Crown & size	Grit	Price	Note	Picture
2A	U19015000087	Resin	Continuous 15x10	200	-	Resin for arrisis, good quality and speed	5
2B	U29415000008	Metallic	Continuous 8x4	325	-	Metallic for arrisis	4

POSITION 3

Pos	Code	Type	Crown & size	Grit	Price	Note	Picture
3A	U50615000004	Polishing	Continuous w19	-	-	Small and medium arrisis	13
3B	U50815000045	Polishing	Continuous w20	-	-	EK120SJ, BORE 70 mm	15
3C	U51915020061	Polishing	Continuous w22,5	-	-	10S60, alu plate, continuous	22
3D	U51915020064	Polishing	Continuous w22,5	-	-	10S120, alu plate, continuous	22

BAVELLONI HE 500

Also compatible with:
Bavelloni PowerEdge, XtraEdge



Machines can be customized according to specific needs.

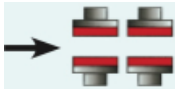
Machines have 3 different sections:

GRINDING SECTION: 2, 3, 4 positions available, with or without oscillating spindle

ARRISING SECTION: 2, 3 positions available for each arris

POLISHING SECTION: 2, 3, 4 positions available

2 POSITIONS POLISHING SECTION (Nr. 2 Cup wheels)



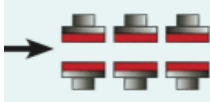
POSITION 1

Pos	Code	Type	Crown & size	Grit	Price	Note	Picture
1A	U51915020062	Polishing	Continuous w22,5	-	-	9RS40, alu plate, continuous	22
1B	U51915020024	Polishing	Segmented w22	-	-	9RS40, bore 70, segmented	21

POSITION 2

Pos	Code	Type	Crown & size	Grit	Price	Note	Picture
2A	U51915020063	Polishing	Continuous w22,5	-	-	9RS60, alu plate, continuous	22
2B	U51915020102	Polishing	Segmented w22,5	-	-	9RS60, alu plate. Segmented, lami Glass	24
2C	U51615000043	Xtrashine	Continuous w20	-	-	Extrashine: Exclusive, best quality.	18
2D	U51615000033	Cerium	Continuous w26,5	-	-	Aluminium plate, J40	16
2E	U51615000036	Cerium	Continuous w26,5	-	-	Resin plate, bore 70	17
2F	U51615000048	Cerium	Segmented w26	-	-	Resin plate, segmented, lami Gass	19

3 POSITIONS POLISHING SECTION (Nr. 3 Cup wheels)



POSITION 1

Pos	Code	Type	Crown & size	Grit	Price	Note	Picture
1A	U51915020062	Polishing	Continuous w22,5	-	-	9RS40, alu plate, continuous	22
1B	U51915020101	Polishing	Segmented w22,5	-	-	9RS40, alu plate. Segmented, lami Glass	24

POSITION 2

Pos	Code	Type	Crown & size	Grit	Price	Note	Picture
2A	U51915020062	Polishing	Continuous w22,5	-	-	9RS40, alu plate, continuous	22
2B	U51915020101	Polishing	Segmented w22,5	-	-	9RS40, alu plate. Segmented, lami Glass	24
2C	U51915020063	Polishing	Continuous w22,5	-	-	9RS60, alu plate, continuous	22
2D	U51915020102	Polishing	Segmented w22,5	-	-	9RS60, alu plate. Segmented, lami Glass	24

POSITION 3

Pos	Code	Type	Crown & size	Grit	Price	Note	Picture
3A	U51615000033	Cerium	Continuous w26,5	-	-	Aluminium plate, J40	16
3B	U51915020063	Polishing	Continuous w22,5	-	-	9RS60, alu plate, continuous	22
3C	U51915020102	Polishing	Segmented w22,5	-	-	9RS60, alu plate. Segmented, lami Glass	24
3D	U51615000043	Xtrashine	Continuous w20	-	-	Extrashine: Exclusive, best quality.	18
3E	U51615000036	Cerium	Continuous w26,5	-	-	Resin plate, bore 70	17
3F	U51615000048	Cerium	Segmented w26	-	-	Resin plate, segmented, lami Gass	19

BAVELLONI HE 500

Also compatible with:
Bavelloni PowerEdge, XtraEdge



Machines can be customized according to specific needs.

Machines have 3 different sections:

GRINDING SECTION: 2, 3, 4 positions available, with or without oscillating spindle

ARRISING SECTION: 2, 3 positions available for each arris

POLISHING SECTION: 2, 3, 4 positions available

4 POSITIONS POLISHING SECTION (Nr. 4 Cup wheels)



POSITION 1

Pos	Code	Type	Crown & size	Grit	Price	Note	Picture
1A	U51915020062	Polishing	Continuous w22,5	-	-	9RS40, alu plate, continuous	22
1B	U51915020101	Polishing	Segmented w22,5	-	-	9RS40, alu plate. Segmented, lami Glass	24

POSITION 2

Pos	Code	Type	Crown & size	Grit	Price	Note	Picture
2A	U51915020062	Polishing	Continuous w22,5	-	-	9RS40, alu plate, continuous	22
2B	U51915020063	Polishing	Continuous w22,5	-	-	9RS60, alu plate, continuous	22
2C	U51915020101	Polishing	Segmented w22,5	-	-	9RS40, alu plate. Segmented, lami Glass	24
2D	U51915020102	Polishing	Segmented w22,5	-	-	9RS60, alu plate. Segmented, lami Glass	24

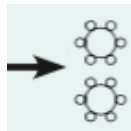
POSITION 3

Pos	Code	Type	Crown & size	Grit	Price	Note	Picture
3A	U51915020063	Polishing	Continuous w22,5	-	-	9RS60, alu plate, continuous	22
3B	U51915020102	Polishing	Segmented w22,5	-	-	9RS60, alu plate. Segmented, lami Glass	24
3C	U51915020070	Polishing	Continuous w22,5	-	-	9RS80, alu plate, continuous	22

POSITION 4

Pos	Code	Type	Crown & size	Grit	Price	Note	Picture
4A	U51615000033	Cerium	Continuous w26,5	-	-	Aluminium plate, J40	16
4B	U51915020063	Polishing	Continuous w22,5	-	-	9RS60, alu plate, continuous	22
4C	U51915020102	Polishing	Segmented w22,5	-	-	9RS60, alu plate. Segmented, lami Glass	24
4D	U51615000043	Xtrashine	Continuous w20	-	-	Extrashine: Exclusive, best quality.	18
4E	U51615000036	Cerium	Continuous w26,5	-	-	Resin plate, bore 70	17
4F	U51615000048	Cerium	Segmented w26	-	-	Resin plate, segmented, lami Gass	19

CORNER CUTTING STATION



POSITION 1

Pos	Code	Type	Crown & size	Grit	Price	Note	Picture
1B	U13405000005	Metallic	U25 X3	270	-	Corner cutting wheel	1

Pictures



